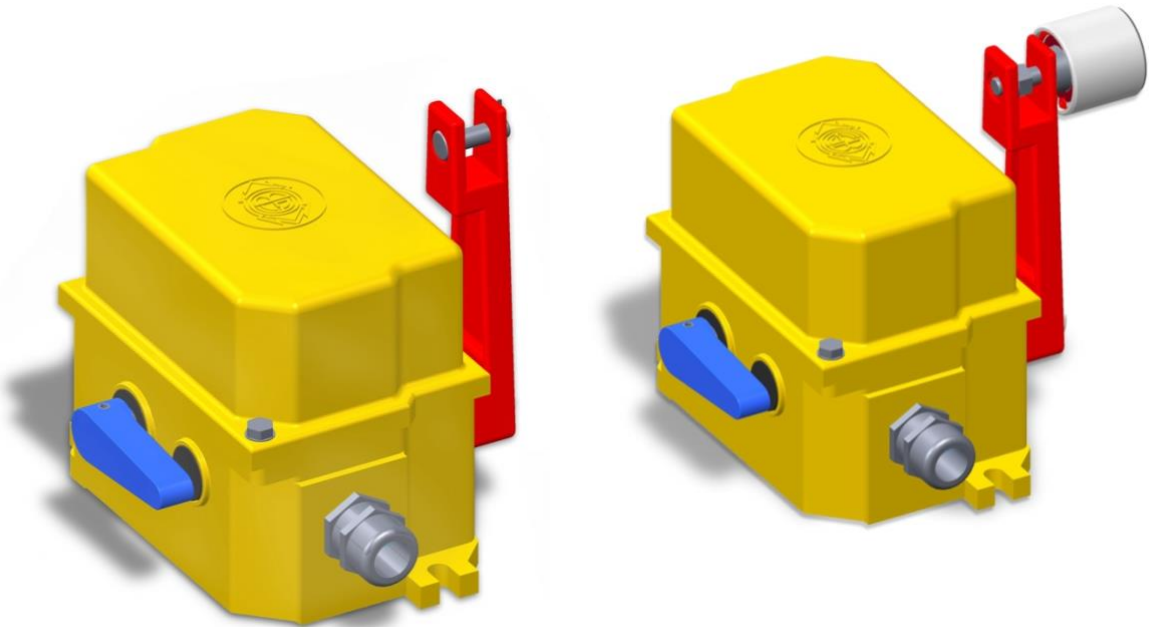




## Emergency switches – Typ: NS 5



### We offer:

- Sale of individual switches and small series with extremely short delivery times
- Spare parts and replacement service, including modernisation of existing systems with our range of switches



## Belt monitoring devices from EGB

Our range of belt monitoring devices is used in construction machinery, conveyor and crane systems as well as a variety of different industrial applications. Our switches are used for the automatic control of electrically driven devices, e.g. for triggering safety and signalling systems and for limiting the end position of movement processes.

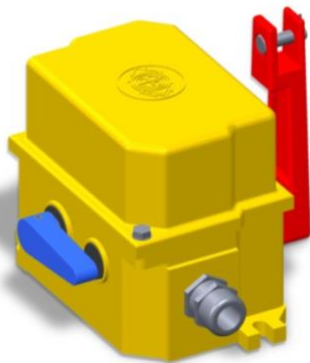
### Emergency switch type NS 5



The emergency stop switch type NS 5 can be used as an emergency stop switch within the framework of the safety regulations for accident prevention on conveyor and belt systems. The switch has been tested and fulfils the requirements of DIN EN 60947-5-5 (VDE 0660-2010) and DIN EN 60947-5-1 (VDE 0660-200).

Thanks to its robust housing made of high-quality cast aluminium and the switching mechanism made of stainless steel and excellent plastic, the NS 5 emergency stop switches are practically maintenance-free and ideally suited to harsh operating conditions.

### NS 5 – Product range



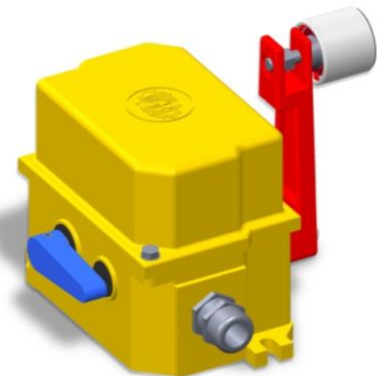
**NS 5 – SZ**  
Rope pull switch

Rope pull switches are emergency switches for machines and systems such as conveyor systems that protect as large an area as possible. An emergency stop command is triggered by manual actuation of the single or double-sided pull rope, as well as by the rope break function. The system is reset manually using the reset lever. An optional signalling light clearly indicates when the switch has been triggered.



**NS 5 – BS**  
Belt misalignment switch

Belt misalignment switches are installed to protect both sides of conveyor belts. The adjacent roller lever triggers if the belt deviates from the track to prevent damage to the system. It is reset manually using the reset lever. An optional signalling light clearly indicates when the switch has been triggered.



**NS 5 – HE**  
Lever limit switch

Lever limit switches are used for both linear and swivelling movements to signal positions reached or to switch off in limit positions. They are reset manually using the reset lever. An optional signalling light clearly indicates that the switch has been triggered.

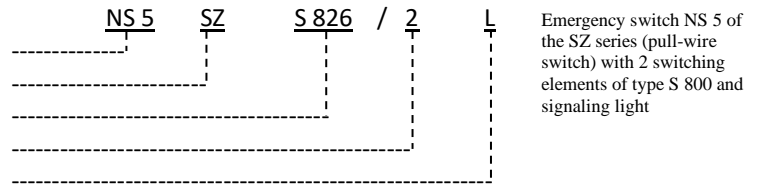


**Technical data**

Material of the chassis:	Aluminium	Instantaneous connection:	At ca. 20° displacement
Protection type of the chassis:	IP 65	Safety break:	At ca. 35° displacement
Cable net:	2 x M 25 x 1.5	Switching elements:	Up to 4 pieces
Connection of the protection-conductor:	M4 - Inside	Force disconnection of the contracts:	Acc. to DIN VDE 0660 T 200, EN 60947
Environmental temperature:	-40°C – +85°C	Switching actuation:	SZ / BS / HE
Fastening:	2 lugs for M8 screws	Electrical lifetime:	min. 100.000 switching cycles
Connection cross section:	0,75 mm <sup>2</sup> - 2,5 mm <sup>2</sup>	Technical lifetime:	min. 100.000 switching cycles
Connection:	Screw terminal	Weight:	ca. 2,0 kg

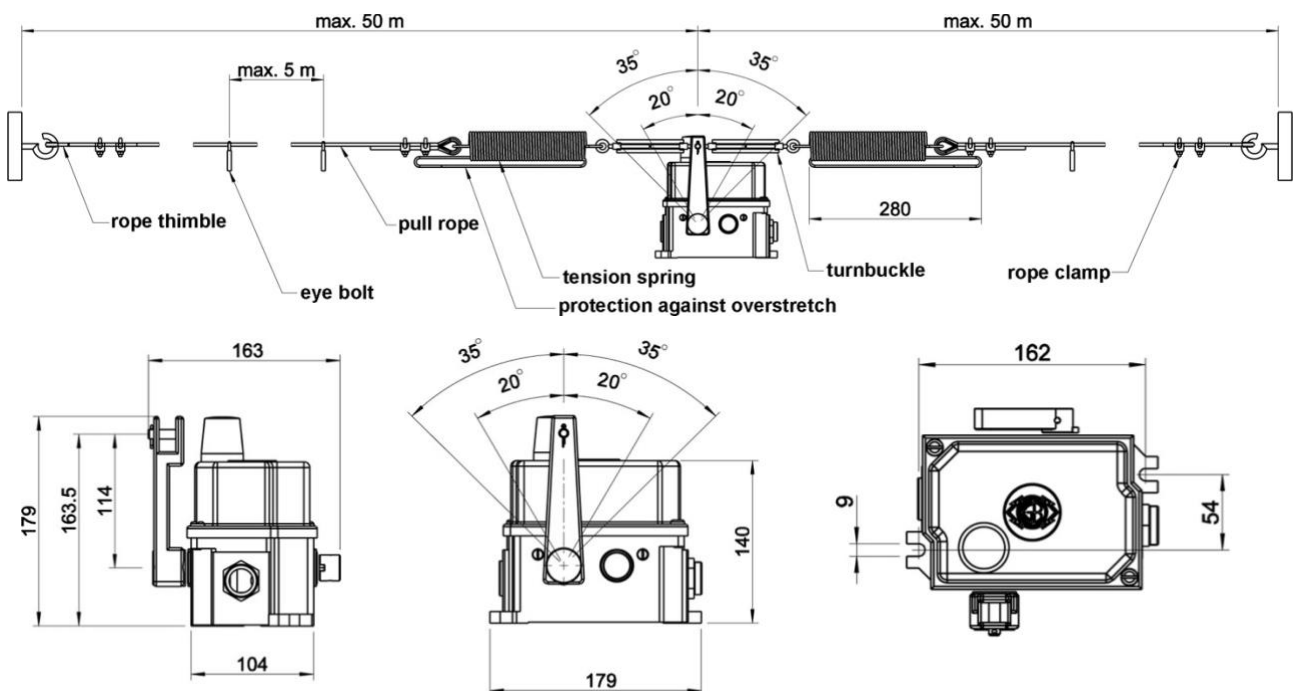
**Example of ordering**

Type  
Types SZ / BS / HE  
Switch element (see table below)  
Number of switch elements max. 4pieces  
Signal light: without index no signal light



Switching elements	Design	Continuous thermal current	Rated insulation voltage
S 800	one-circuit change over contact	10 A	400 V
S 826	two-circuit change over contact (PLC- usable)	10 A	400 V
S 806	Opener	10 A	400 V

**Assembly and accessories for type NS 5 – SZ:**

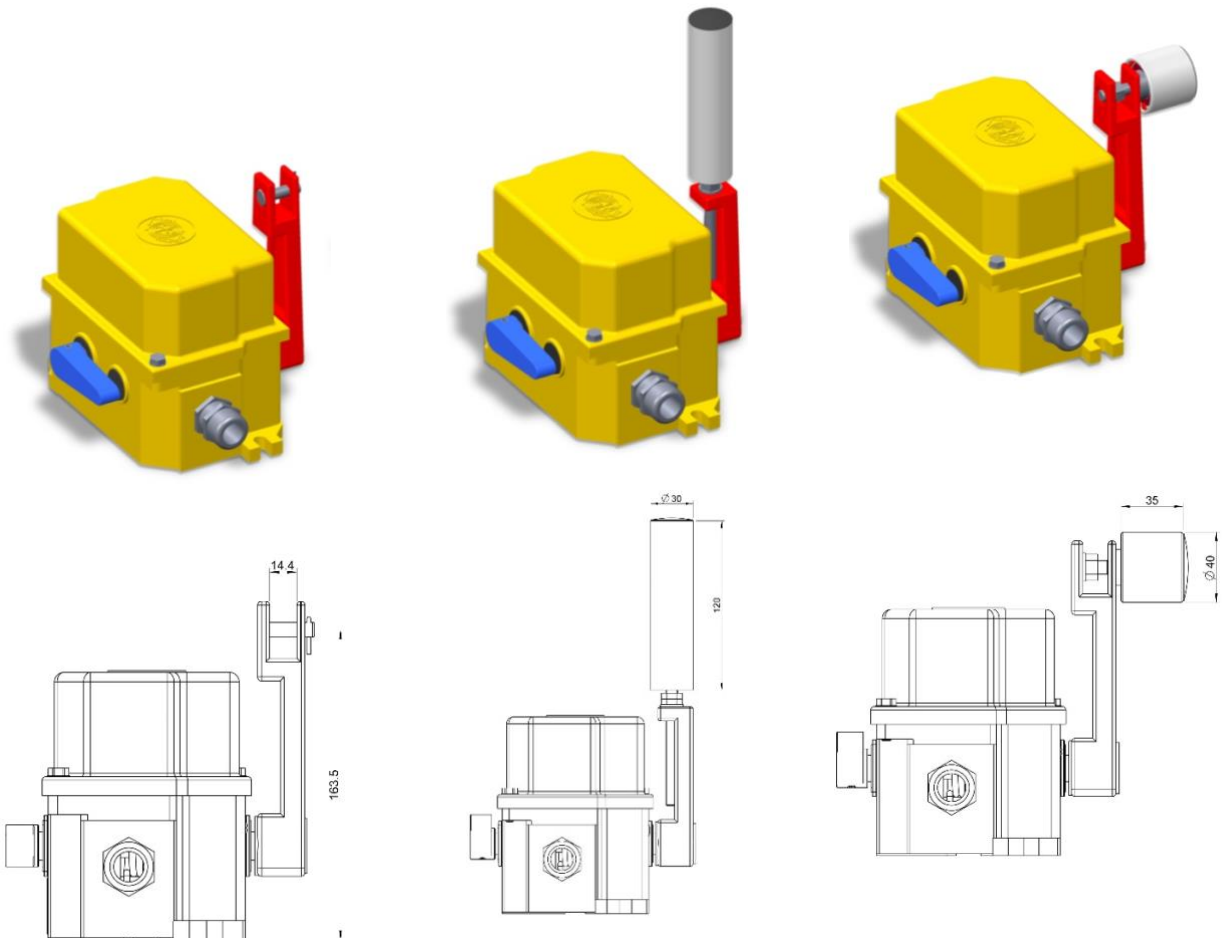




## EGB, from the idea to realisation - everything from a single source

Whether project planning and original equipment, modernisation, maintenance or repair, as a system supplier EGB offers its customers a comprehensive all-round service with expert advice.


With almost 100 years of experience in development and production as well as installation and commissioning, we are the right partner to realise your projects. The switches shown here are just a small selection from our extensive portfolio of electrotechnical components, which includes spindle limit switches and lever limit switches as well as slip ring assemblies and hose and cable reels.



Visit us at:

 [www.egb-be.de](http://www.egb-be.de)

 [info@egb-be.de](mailto:info@egb-be.de)

 +49 341 44 81 0

 Ludwig-Hupfeld-Straße 6, 04178 Leipzig, Germany

